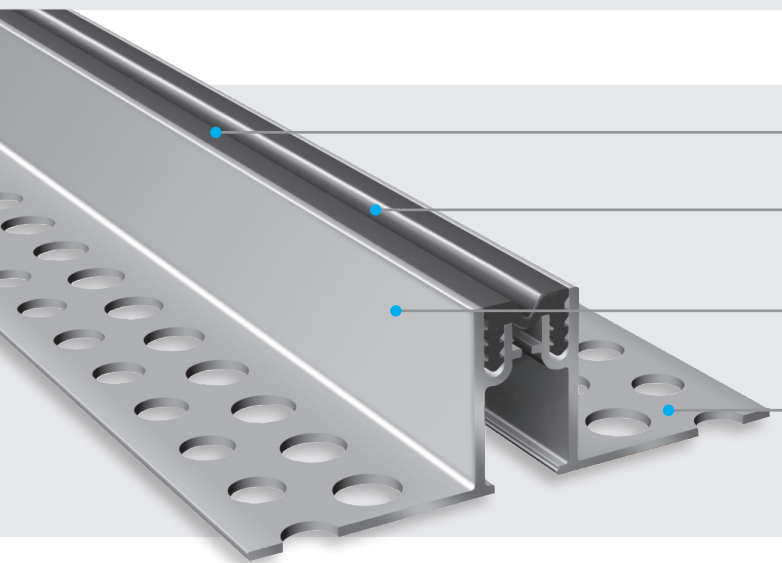


Floor Profiles

FL 21



Flexible high quality elastomeric insert

Hard wearing, weather resistant (-30°C to +120°C), replaceable



Multi directional movement

Quick and easy installation

Solid, but light aluminium brackets for quick installation in screed or tiled floorings

MultiHole mounting bracket

for secure fixing

Profile	Joint width max. b_f max [mm]	Total Movement Δb_f [mm]	Visible width of profile b_s [mm]	Total width of profile b_t [mm]	Installation height h [mm]	Load capacity*  [kN]	Load capacity  [kN]
FL 21/20	20	5 (+3/-2)	21	80	20	30	-
FL 21/35	20	5 (+3/-2)	21	107	35	30	-
FL 21/50	20	5 (+3/-2)	21	107	50	30	-

*not designed for permanent use.

For installation in asphalt, please ask for our technical advice.

Standard colours: black, grey

Production length: 4 m

