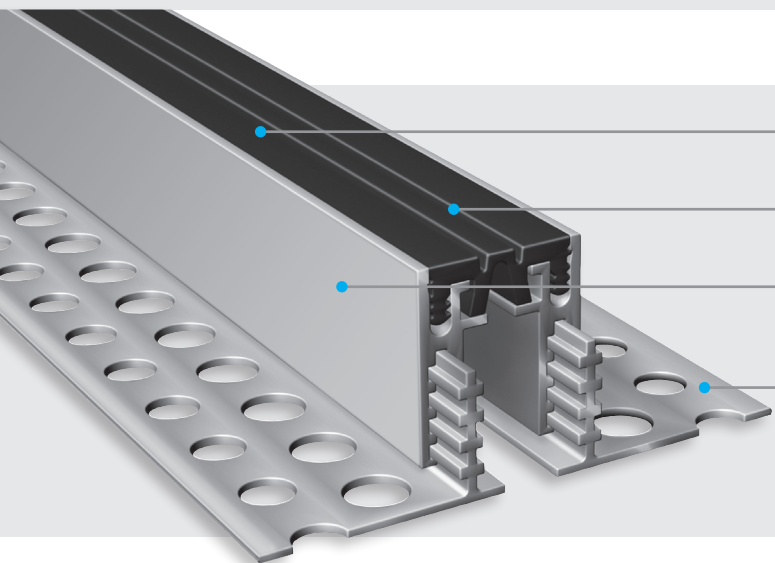


Floor Profiles

FV 35



Flexible high quality elastomeric insert

Hard wearing, temperature resistant (-30°C to +120°C), replaceable

Multi directional movement

Quick and easy installation



Solid, but light aluminium brackets for quick installation in screed or tiled floorings

MultiHole mounting bracket

for secure fixing

Flexible adaptation to site conditions

Available with adjustable installation height

Profile	Joint width max. b_f max [mm]	Total Movement Δb_f [mm]	Visible width of profile b_s [mm]	Total width of profile b_t [mm]	Installation height h [mm]	Load capacity*  [kN]	Load capacity  [kN]
FV 35/15	30	10 (± 5)	35	108	15	30	-
FV 35/20	30	10 (± 5)	35	108	20	30	-
FV 35/25	30	10 (± 5)	35	108	25	30	-
FV 35/35	30	10 (± 5)	35	125	35	30	-
FV 35/50	30	10 (± 5)	35	125	50	30	-
FV 35/4055	30	10 (± 5)	35	108	40, 45, 50, 55	30	-
FV 35/6075	30	10 (± 5)	35	108	60, 65, 70, 75	30	-
FV 35/7590	30	10 (± 5)	35	108	75, 80, 85, 90	30	-
FV 35/90105	30	10 (± 5)	35	108	90, 95, 100, 105	30	-

*not designed for permanent use
For installation in asphalt, please ask for our technical advice.

Standard colours: black, grey, brown, beige
Production length: 4 m

