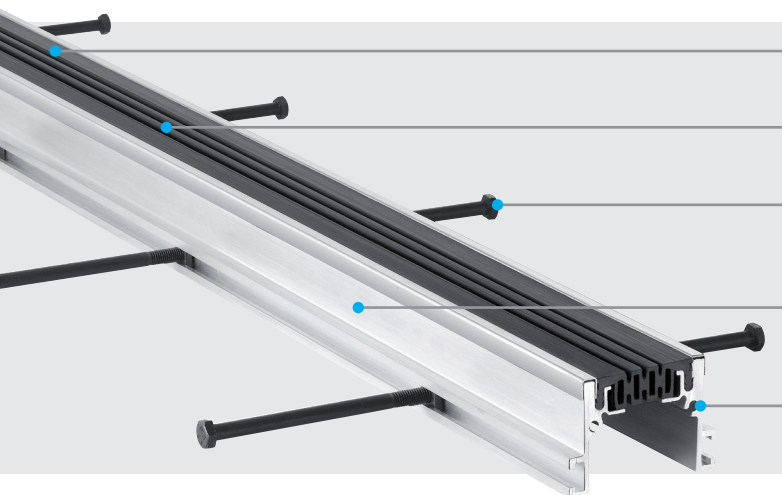


Floor Profiles for flush installation in concrete decks

FP 55 B (NI) 4S



Flexible high quality elastomeric insert

Hard wearing, temperature resistant (-30°C to +120°C), replaceable

Multi directional movement



Designed for where additional layers of concrete are being cast to strengthen existing slabs

Slideable anchor rods for adjustable welding to the reinforcement

High load capacity due to sturdy construction

Solid aluminium brackets, also available with stainless steel covers

Quick and easy installation Positive connection of production lengths by means of connection pieces

Profile	Joint width max. b_f max [mm]	Total Movement Δb_f [mm]	Visible width of profile b_s [mm]	Installation height h [mm]	Load capacity  [kN]	Load capacity*  [kN]
FP 55 B 4S	60	22 (± 11)	63	53	30	300
FP 55 B NI 4S	60	22 (± 11)	63	54	30	300

*not designed for permanent use

Standard colours: black, grey
Production length: 4 m

