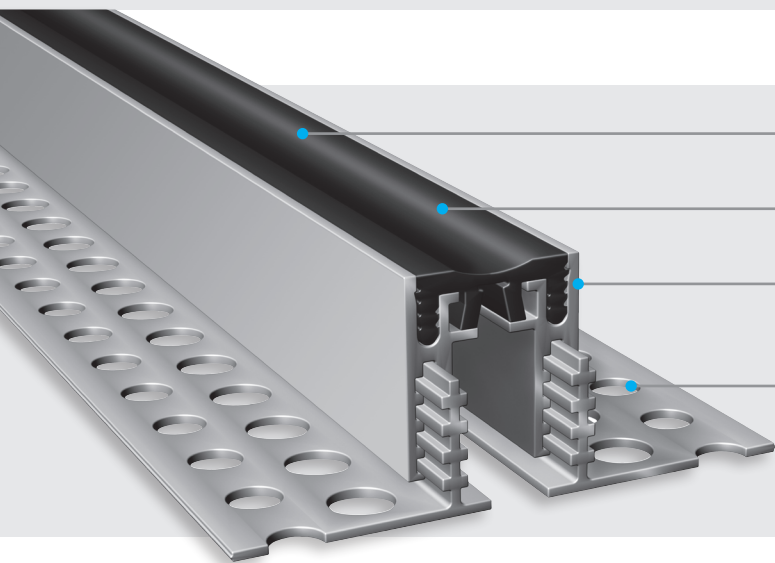


## Profiles with hygienic requirements

### FG 35



**Flexible high quality elastomeric insert**

Hard wearing, temperature resistant (-30°C to +120°C), replaceable

**Smooth visible surface for easy cleaning**

Antibacterial and physiologically safe

**Quick and easy installation**




Solid, but light aluminium brackets for quick installation in screed or tiled floorings

**MultiHole mounting bracket**

for secure fixing

**Flexible adaptation to site conditions**

Available with adjustable installation height

Profile	Joint width max. <b>b<sub>f</sub> max</b> [mm]	Total Movement <b>Δb<sub>f</sub></b> [mm]	Visible width of profile <b>b<sub>s</sub></b> [mm]	Total width of profile <b>b<sub>t</sub></b> [mm]	Installation height <b>h</b> [mm]	Load capacity*  /  [kN]	Load capacity  [kN]
FG 35/15	30	6 (± 3)	35	108	15	30	-
FG 35/20	30	6 (± 3)	35	108	20	30	-
FG 35/25	30	6 (± 3)	35	108	25	30	-
FG 35/35	30	6 (± 3)	35	125	35	30	-
FG 35/50	30	6 (± 3)	35	125	50	30	-
FG 35/4055	30	6 (± 3)	35	108	40, 45, 50, 55	30	-
FG 35/6075	30	6 (± 3)	35	108	60, 65, 70, 75	30	-
FG 35/7590	30	6 (± 3)	35	108	75, 80, 85, 90	30	-
FG 35/90105	30	6 (± 3)	35	108	90, 95, 100, 105	30	-

\*not designed for permanent use  
For installation in asphalt, please ask for our technical advice.

Standard colours: black, grey, brown, beige  
Production length: 4 m

