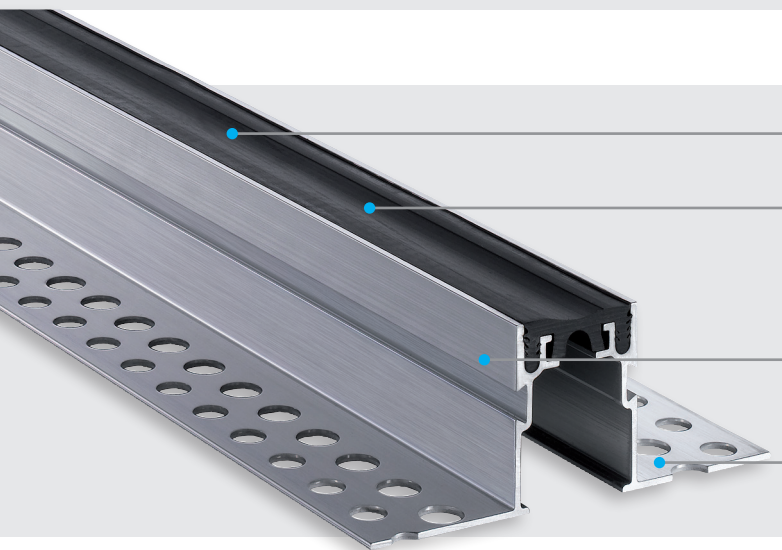


Profiles with hygienic requirements



FG 41




Flexible high quality elastomeric insert
Hard wearing, temperature resistant (-30°C to +120°C), replaceable

Smooth visible surface for easy cleaning
Antibacterial and physiologically safe

Flexible adaptation to site conditions
Available with adjustable installation height

Quick and easy installation
Solid, but light aluminium brackets for quick installation in screed or tiled floorings

MultiHole mounting bracket
for secure fixing

Profile	Joint width max. b_f max [mm]	Total Movement Δb_f [mm]	Visible width of profile b_s [mm]	Total width of profile b_t [mm]	Installation height h [mm]	Load capacity*  /  [kN]	Load capacity  [kN]
FG 41/15	35	6 (± 3)	41	114	15	30	-
FG 41/20	35	6 (± 3)	41	114	20	30	-
FG 41/25	35	6 (± 3)	41	114	25	30	-
FG 41/35	35	6 (± 3)	41	131	35	30	-
FG 41/50	35	6 (± 3)	41	131	50	30	-
FG 41/4055	35	6 (± 3)	41	114	40, 45, 50, 55	30	-
FG 41/6075	35	6 (± 3)	41	114	60, 65, 70, 75	30	-
FG 41/7590	35	6 (± 3)	41	114	75, 80, 85, 90	30	-
FG 41/90105	35	6 (± 3)	41	114	90, 95, 100, 105	30	-

*not designed for permanent use
For installation in asphalt, please ask for our technical advice.

Standard colours: black, grey, beige
Production length: 4 m

