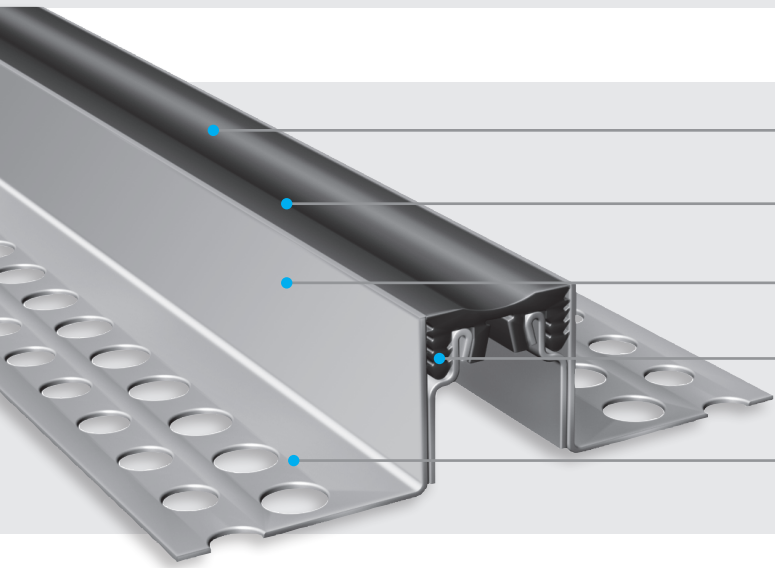


Profiles with hygienic requirements

ESG 33 Solid Stainless Steel



Flexible high quality elastomeric insert

Hard wearing, temperature resistant (-30°C to +120°C), replaceable

Smooth visible surface for easy cleaning




Antibacterial and physiologically safe

Solid stainless steel brackets

Resistant to aggressive media (e.g. sea water)

Multi directional movement

MultiHole mounting bracket
for secure fixing

Profile	Joint width max. $b_f \text{ max}$ [mm]	Total Movement Δb_f [mm]	Visible width of profile b_s [mm]	Total width of profile b_t [mm]	Installation height h [mm]	Load capacity*  /  [kN]	Load capacity  [kN]
ESG 33/15	30	6 (± 3)	33	139	15	30	-
ESG 33/35	30	6 (± 3)	33	108	35	30	-
ESG 33/40	30	6 (± 3)	33	108	40	30	-
ESG 33/50	30	6 (± 3)	33	108	50	30	-

*not designed for permanent use
Larger heights on request.

Material: 1.4301 (alloy 304) Stainless steel: mill finish

Standard colours: black, grey, beige, brown

Production length: 3 m, ESG 33/15: 2 m

