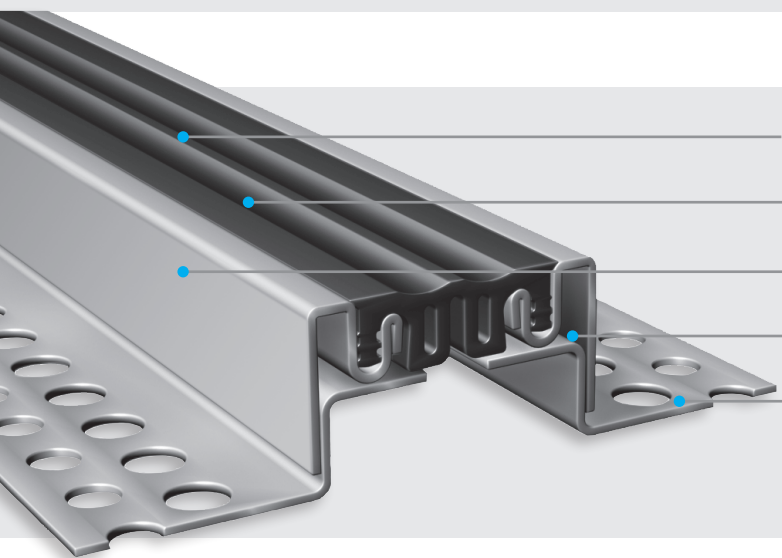


Profiles with hygienic requirements

ESG 60 Solid Stainless Steel



Flexible high quality elastomeric insert

Hard wearing, temperature resistant (-30°C to +120°C), replaceable

Smooth visible surface for easy cleaning

Antibacterial and physiologically safe

Solid stainless steel brackets

Resistant to aggressive media (e.g. sea water)




High load capacity

suitable for Forklift trucks

MultiHole mounting bracket

for secure fixing

Multi directional movement

Profile	Joint width max. b_f max [mm]	Total Movement Δb_f [mm]	Visible width of profile b_s [mm]	Total width of profile b_t [mm]	Installation height h [mm]	Load capacity  [kN]	Load capacity*  [kN]	Load capacity  [kg/mm wheel width]
ESG 60/19	40	8 (± 4)	60	160	19	90	35	-
ESG 60/35	50	8 (± 4)	60	152	35	90	35	-
ESG 60/45	50	8 (± 4)	60	152	45	90	35	-
ESG 60/55	50	8 (± 4)	60	152	55	90	35	-

* not designed for permanent use

Material: 1.4401 (alloy 316) Stainless steel: mill finish

Standard colours: grey

Production length: 4 m

