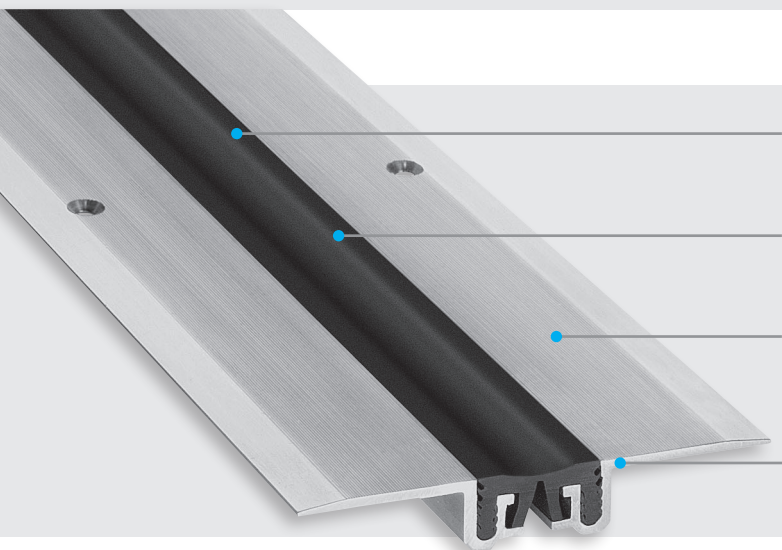


## Profiles with hygienic requirements

### FNG 35




**Flexible high quality elastomeric insert**  
Hard wearing, temperature resistant (-30°C to +120°C)

**Economical**  
Insert replaceable at any time

**Anti-slip-surface ensures good skid resistance**  
Special Striated surface, also suitable for sports areas

**Very flat design**  
Perfect for surface fixing

Profile	Joint width min. <b>b<sub>f</sub> min</b> [mm]	Total Movement <b>Δb<sub>f</sub></b> [mm]	Total width of profile <b>b<sub>t</sub></b> [mm]	Installation height min. <b>h</b> [mm]	Thickness of visible alu side plates [mm]	Load capacity* 
FNG 35	35	6 (± 3)	112	13	2	Pedestrians

\*Light vehicles on request.

Standard colours: black, grey, brown, beige

Production length: 4 m

