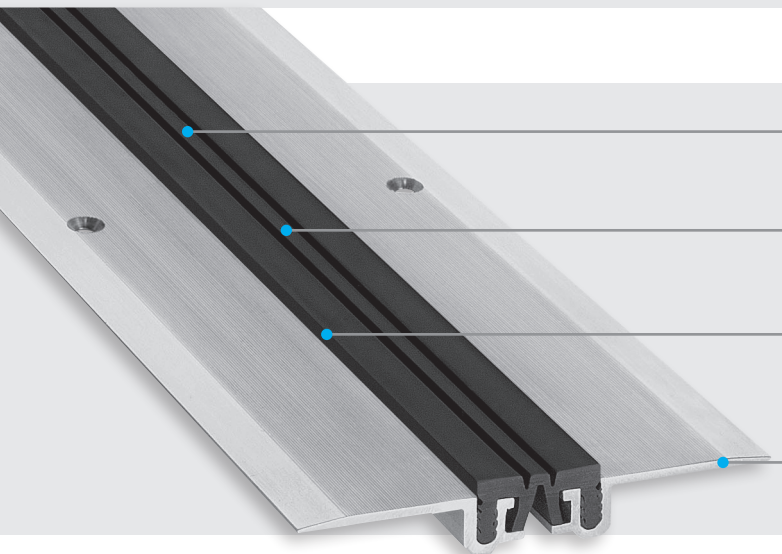


## Profiles for refurbishment, renovation and modernization

### FKN 35 / FTN 35



#### Perfectly designed insert

FKN 35: 3 mm high upstand can be welded with PVC floorings  
FTN 35: 5 mm high upstand in conjunction with carpets

#### Flexible high quality elastomeric insert


Hard wearing, temperature resistant (-30°C to +120°C)

#### Economical

Insert replaceable at any time

#### Very flat design

Perfect for surface fixing

Profile	For PVC floorings [mm]	For carpet floorings [mm]	Joint width min. <b>b<sub>f</sub> min</b> [mm]	Total Movement <b>Δb<sub>f</sub></b> [mm]	Total width of profile <b>b<sub>t</sub></b> [mm]	Installation height min. <b>h</b> [mm]	Thickness of visible alu side plates [mm]	Load capacity* 
FKN 35	3	–	35	10 (± 5)	30	13	2	Pedestrians
FTN 35	–	5	35	10 (± 5)	30	13	2	Pedestrians

\* Light vehicles on request.

Standard colours: FKN 35: black, grey, brown, beige, FTN 35: black, grey, beige

Production length: 4 m

