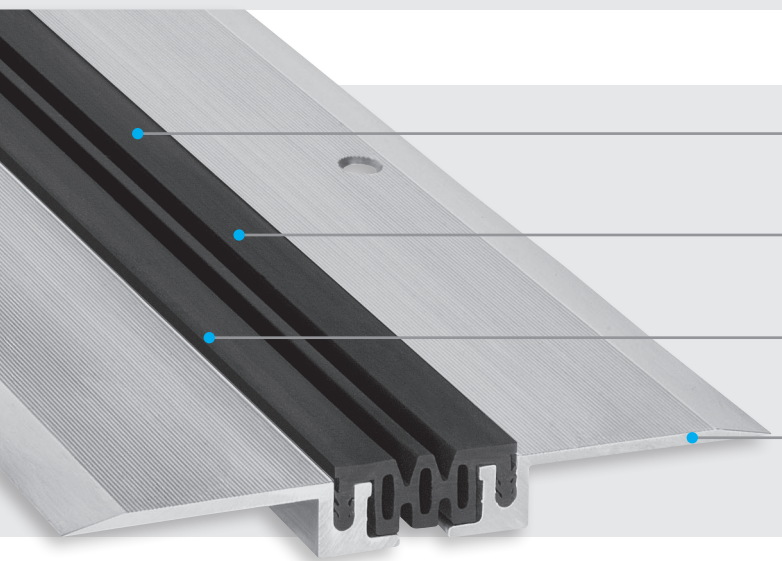


Profiles for refurbishment, renovation and modernization

FKN 50



Perfectly designed insert

3 mm high upstand can be welded with PVC floorings

Flexible high quality elastomeric insert


Hard wearing, temperature resistant (-30°C to +120°C)

Economical

Insert replaceable at any time

Very flat design

Perfect for surface fixing

Profile	Joint width min. b_f min [mm]	Total Movement Δb_f [mm]	Width of Synca insert [mm]	Total width of profile b_t [mm]	Installation height min. h [mm]	Thickness of visible alu side plates [mm]	Load capacity* 
FKN 50	50	16 (± 8)	43	170	16	3	Pedestrians

*Light vehicles on request.

Standard colours: black
Production length: 4 m

