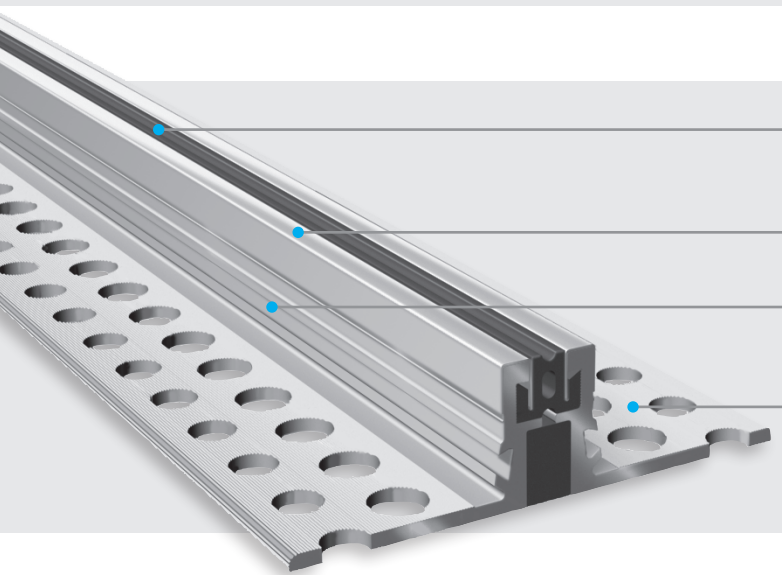


Contraction joint systems

ESF 22 NI



Flexible high quality elastomeric insert

Hard wearing, temperature resistant (-30°C to +120°C), replaceable

Visible surface stainless steel

High load capacity

Solid aluminium brackets, suitable for hard plastic tyres

MultiHole mounting bracket

for secure fixing

| Profile max. | Joint width Movement $b_f \text{ max}$ [mm] | Total of profile Δb_f [mm] | Visible width of profile b_s [mm] | Total width height b_t [mm] | Installation h [mm] | Load capacity [kN] | Load capacity [kN] | Load capacity [kg/mm wheel width] |
|--------------|---|------------------------------------|-------------------------------------|-------------------------------|-----------------------|--------------------|--------------------|-----------------------------------|
| ESF 22/18 NI | 12 | 4 (± 2) | 22 | 110 | 18 | 600 | 130 | 11 |
| ESF 22/30 NI | 12 | 4 (± 2) | 22 | 110 | 30 | 600 | 130 | 11 |
| ESF 22/45 NI | 12 | 4 (± 2) | 22 | 110 | 45 | 600 | 130 | 11 |
| ESF 22/60 NI | 12 | 4 (± 2) | 22 | 110 | 60 | 600 | 130 | 11 |

Standard colours: black, grey

Production length: 4 m

