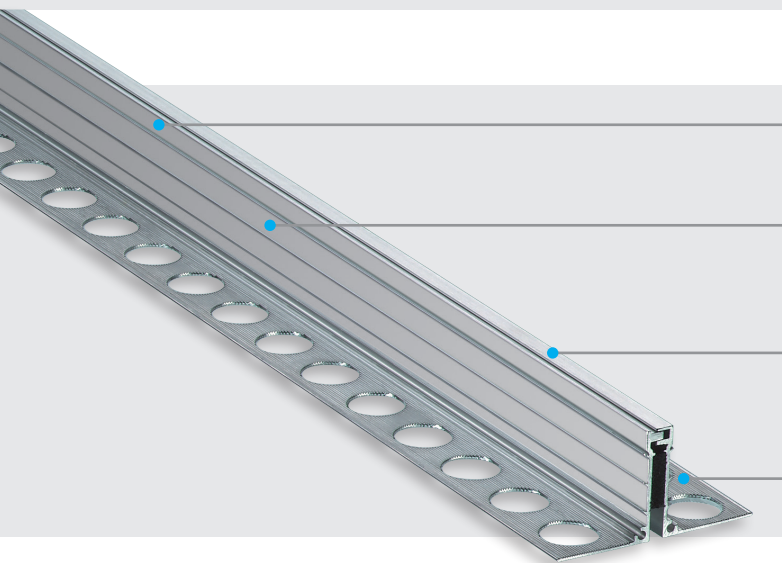


Contraction joint systems

ESF 10 AL



Solid all metal-profile

Hard wearing, maintenance-free, long lasting

High load capacity




Solid aluminium brackets, suitable for hard plastic tyres

Small visible surface

Slim design, visible width of profile 10 mm only

MultiHole mounting bracket

for secure fixing

Profile	Joint width max. b_f max [mm]	Total Movement Δb_f [mm]	Visible width of profile b_s [mm]	Total width of profile b_t [mm]	Installation height h [mm]	Load capacity  [kN]	Load capacity  [kN]	Load capacity  [kg/mm wheel width]
ESF 10/15 AL	10	4 (± 2)	10	77	15	600	130	6,5
ESF 10/17 AL	10	4 (± 2)	10	77	17	600	130	6,5
ESF 10/25 AL	10	4 (± 2)	10	77	25	600	130	6,5
ESF 10/35 AL	10	4 (± 2)	10	77	35	600	130	6,5
ESF 10/40 AL	10	4 (± 2)	10	77	40	600	130	6,5
ESF 10/50 AL	10	4 (± 2)	10	77	50	600	130	6,5
ESF 10/60 AL	10	4 (± 2)	10	77	60	600	130	6,5

Larger heights on request.

Production length: 4 m

