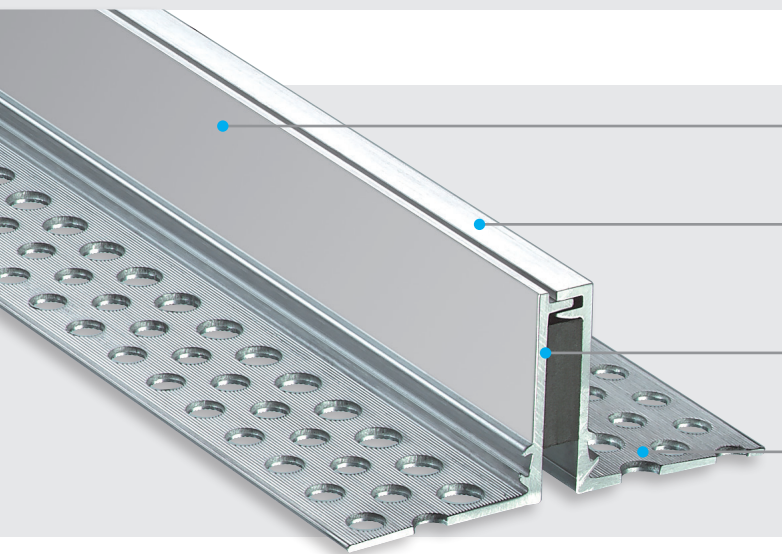


Contraction joint systems

ESF 16 AL



Solid all metal-profile

Hard wearing, maintenance-free, long lasting

Small visible surface

Slim design, visible width of profile 17 mm only

High load capacity

Solid aluminium brackets, suitable for hard plastic tyres

MultiHole mounting bracket

for secure fixing

Profile	Joint width max. $b_f \text{ max}$ [mm]	Total Movement Δb_f [mm]	Visible width of profile b_s [mm]	Total width of profile b_t [mm]	Installation height h [mm]	Load capacity [kN]	Load capacity [kN]	Load capacity [kg/mm wheel width]
ESF 16/35 AL	10	6 (± 3)	17	130	35	600	130	8
ESF 16/45 AL	10	6 (± 3)	17	130	45	600	130	8
ESF 16/60 AL	10	6 (± 3)	17	130	60	600	130	8

Larger heights on request.

Production length: 4 m

