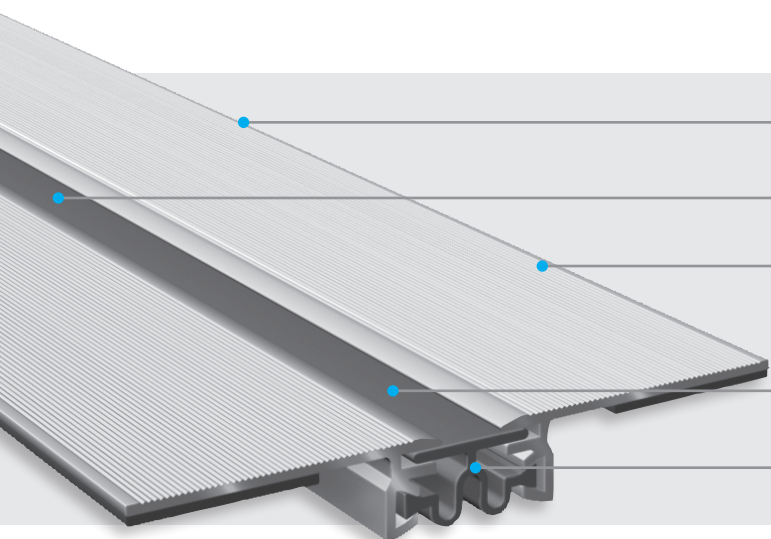


## Wall and ceiling profiles / Surface fixing

### FA 25 / FAE 25



**Very flat design**

**Flexible high quality elastomeric insert**

Hard wearing, temperature resistant (-30°C to +120°C), replaceable

**Quick and easy installation**

Aluminium brackets with cellular rubber sealing strips to compensate for unevenness in the building surface

**Double protection against water** due to double sliding of the sealing insert within the metal profiles

**Large movement capacity**

Special flexible folded insert for movement up to 200 mm

Profile FA <b>for straight joints</b> Profile FAE <b>for corner joints</b>	Joint width min. <b>b<sub>f</sub> min</b> [mm]	Total movement <b>Δb<sub>f</sub></b> [mm]	Total width of profile <b>b<sub>t</sub></b> [mm]	Installation height <b>h</b> [mm]
FA 25/ 3	30	10 (± 5)	111	12
FA 25/ 5	75	40 (± 20)	157	12
FA 25/ 7	100	50 (± 25)	182	12
FA 25/ 9	150	100 (± 50)	232	12
FA 25/13	200	120 (± 60)	282	12
FA 25/14	250	180 (± 90)	332	12
FA 25/18	350	200 (± 100)	432	12
FAE 25/ 4	30	10 (± 5)	69	12
FAE 25/ 6	75	40 (± 20)	114	12
FAE 25/ 8	100	50 (± 25)	139	12
FAE 25/11	150	100 (± 50)	189	12
FAE 25/15	200	120 (± 60)	239	12
FAE 25/16	250	180 (± 90)	289	12
FAE 25/22	350	200 (± 100)	389	12

The profiles can also be supplied with holes for fixing with screws (distance 300 mm each).  
If longer lengths than 4 m are required, exact details of total joint lengths must be stated.  
The folded insert is then supplied in one piece up to approx. 50 m for the complete joint.

**Standard colours:** grey, FA 25/3 and FAE 25/4 can also be supplied with a beige insert  
**Production length:** 4 m

