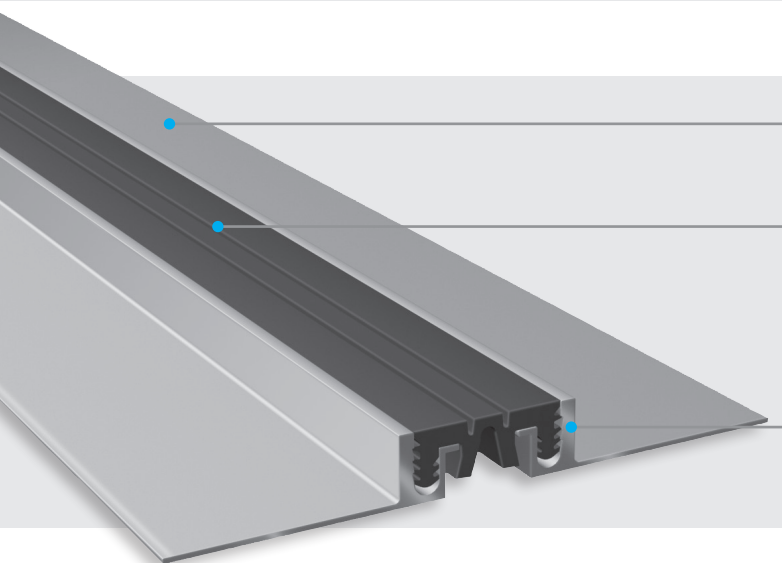


## Wall and ceiling profiles / plasterboard

### DF 35 / DF 41 / DF 50 / DF 58



**Easy installation**  
by means of nails or screws

**Flexible high quality elastomeric insert**  
Hard wearing, weather resistant (-30°C to +120°C), replaceable

**Same appearance of joints in floor and wall**  
as the same type of insert is used for both applications  
by using inserts of series FV 35 (DF 35) resp. FP 55 (DF 50)

**Solid all metal-profile**  
Hard wearing, maintenance-free, long lasting

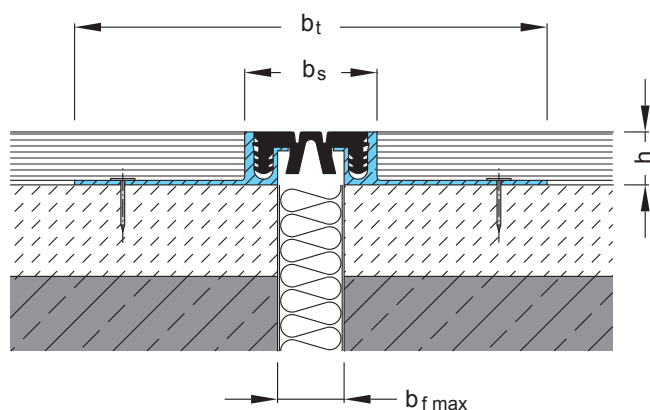
Profile	Joint width max. <b>b<sub>f</sub> max</b> [mm]	Total Movement <b>Δb<sub>f</sub></b> [mm]	Visible width of profile <b>b<sub>s</sub></b> [mm]	Total width of profile <b>b<sub>t</sub></b> [mm]	Installation height <b>h</b> [mm]	Intended application Load
DF 35	30	10 (± 5)	35	125	14	for installation
DF 41	30	14 (± 7)	41	131	14	under sandwich type
DF 50	50	16 (± 8)	48	138	14	plasterboard of 12, 5 mm thickness
DF 58	58	22 (± 11)	56	146	14	

Profiles are also available with smooth insert as DFG 35 (joint movement 6 mm ± 3 mm), DFG 41 (joint movement 6 mm ± 3 mm), DFG 50 (joint movement 8 mm ± 4 mm).

**Standard colours:** black, grey, beige, DF 35 also available in brown

**Production length:** 3 m

DF 35, DF 41, DF 58



DF 50

