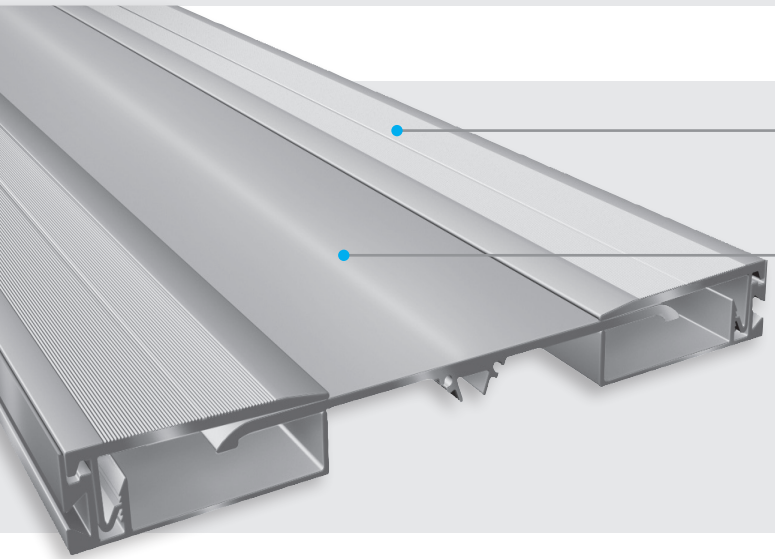


Wall and ceiling profiles

WP 255/22



Solid all metal-profile

Hard wearing, maintenance-free, long lasting

Large movement capacity

Designed for movement up to 100 mm)

Quick and easy installation

Profile	Joint width max. b_f max [mm]	Total Movement Δb_f [mm]	Visible width of profile b_s [mm]	Total width of profile b_t [mm]	Installation height h [mm]
WP 255/22	110	100 (± 50)	255	255	22
WP 255/22 E2 (corner version)	205	100 (± 50)	255	277	22

This profile is also available for other joint widths. Details on request.

Standard colours: Mill finish

Production length: 3 m

