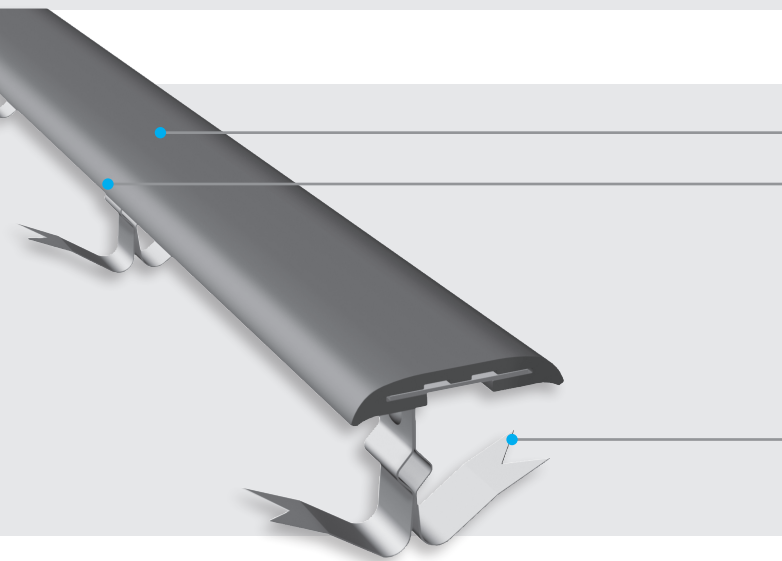


## Wall and ceiling profiles / Surface fixing

### KF 55 / KFE 55



**Perfect optical appearance**

**Flexible high quality elastomeric insert**  
Hard wearing, weather and temperature resistant  
(-30°C to +120°C)

**Quick and easy installation**

**Special types for corners joints available**

**Secure and permanent fixing**  
using stainless steel spring clips 20 cm each

Profile	Joint width $b_f \text{ max}$ [mm]	Total width of profile $b_t$ [mm]	Depth of joint $h \text{ min}$ [mm]	Standard colour
KF 55/1530	15-35	50	40	grey
KF 55/3560	35-60 (15-35)	75	50	grey
KFE 55/1531	20-35	47	40	grey
KFE 55/3561	40-60	73	50	grey

Continuous steel insert and stainless steel clips (5 spring clips will be supplied per running meter).  
Profiles of series KF 55/1530 and KFE 55/1531 will be normally supplied with the short standard clip K1.  
Profiles can also be supplied with longer clip K2 ( $h_{\text{min}} = 75 \text{ mm}$ ), if desired (at extra charge).  
The profile KF 55/3560 can be supplied with the clips K1 or K2 of profile KF 55/1530 for joint width 15 - 35 mm on request.  
Exact details must be stated.

Production length: 20 m

