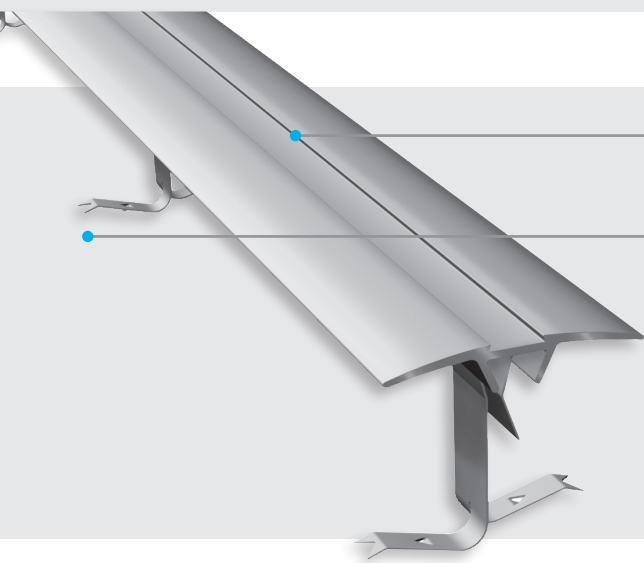


Wall and ceiling profiles

KF 250 / KFE 250



Aluminium cover profile with stainless steel spring clips
very long durability

Secure and permanent fixing
using special steel spring clips

Quick and easy installation

Profile	Joint width b_f max [mm]	Width of cover b_t [mm]	Depth of joint h min [mm]	Material	Standard colour
KF 250/ 30	15-35	50	40	Aluminium	Mill finish
KFE 250/ 31	15-35	40	40	Aluminium	Mill finish
KF 250/ 70*	15-35	70	40	Aluminium	Mill finish
KFE 250/ 71	15-35	50	40	Aluminium	Mill finish
KF 250/100*	15-35	100	40	Aluminium	Mill finish
KFE 250/101**	35-60	75	70	Aluminium	Mill finish
KF 250/150**	35-80	150	70	Aluminium	Mill finish
KF 250/170**	35-80	170	70	Aluminium	Mill finish

*Special clips for joint width 35-80 mm (joint depth min. 70 mm) are available on request.

**Profiles are only available with special clips.

4 spring clips will be supplied per length of 3 m for profiles KF 250/30 to KFE 250/71.

6 spring clips are provided for profile KF 250/100 to KF 250/150 and 8 spring clips for profile KF 250/170.

The aluminium profiles can be anodized or powder coated in our works for important orders.

Production length: 3 m

