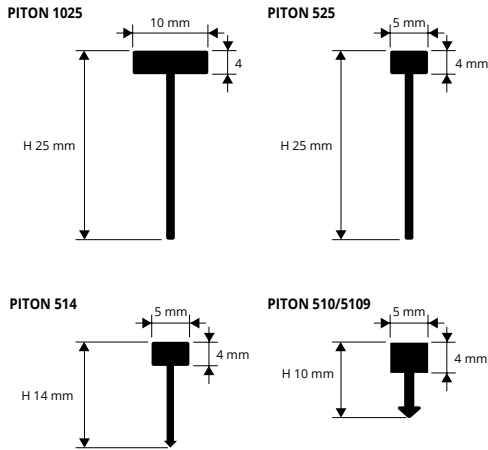


PROJOINT

NATURAL AND POLISHED BRASS

PROJOINT is a natural and polished brass joint for joining two floors laid with mortar or glue/adhesive. The head thickness allows perfect smoothing and sanding of over 3 mm. It is usually used for tile-wood-marble-Venetian-Palladian floors. Available in various heights and widths. The vertical arrowhead part in the PIT 510 and PIT 514 glue version allows excellent anchorage with the adhesive.



POLISHABLE NATURAL BRASS
bar length 2,7 lm - pack. 20 Pcs - 54 lm

Article	L x H mm
PITON 1025	10 X 25
PITON 525	5 X 25
PITON 514	5 X 14
PITON 510	5 X 10

POLISHABLE NATURAL BRASS
bar length 0,90 lm - pack. 40 Pcs

Article	L x H mm
PITON 5109	5 X 10

CONSISTING OF 1 ECOBLISTER WITH 2 PCS. OF 0.90 LM

POLISHED BRASS
bar length 2,7 lm - pack. 20 Pcs - 54 lm

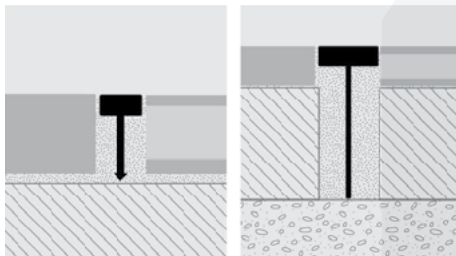
Article	L x H mm
PITOL 1025	10 X 25
PITOL 525	5 X 25
PITOL 514	5 X 14
PITOL 510	5 X 10

POLISHED BRASS
bar length 0,90 lm - pack. 40 Pcs

Article	L x H mm
PITOL 5109	5 X 10

CONSISTING OF 1 ECOBLISTER WITH 2 PCS. OF 0.90 LM

EXAMPLES AND INSTRUCTIONS FOR LAYING METHODS



1. Choose "PROJOINT" according to the desired height.
2. Cut "PROJOINT" to the desired length.
- Mortar laying**
3. Cut with a trowel the fresh screed following the floor edges.
4. Apply the profile inside the fresh screed taking care to align it with the surface of the floor. After laying the joint should be 0,5 mm below the floor covering surface.
5. Fill the joints between the profile and the tiles with grout, in order to avoid water stagnation. Remove immediately all grout remains from the profile surface.
- Adhesive laying**
3. Apply the adhesive on the support where the profile will be laid. After laying the joint should be 0,5 mm below the floor covering surface.
4. Lay the tiles aligning them with the profile leaving a 2 mm joint. Remove immediately all the remains of adhesive from the profile surface.
5. Fill the joints between the profile and the tile with grout, in order to avoid water stagnation. Remove immediately all grout remains from the profile surface.

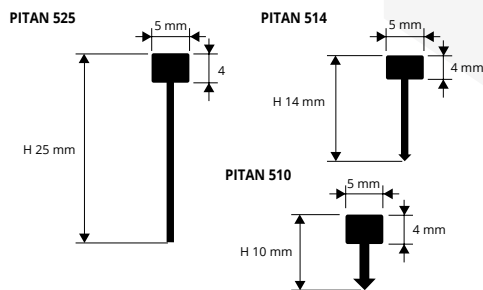
COLOURS

ON	ON DEMAND
ON - Natural brass	OL - Polished brass

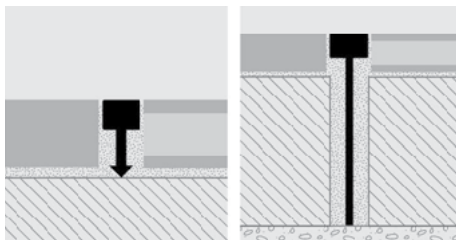
PROJOINT

NATURAL ALUMINIUM

PROJOINT is a natural aluminium joint for joining two floors laid with mortar or glue/adhesive. The head thickness allows perfect smoothing and sanding of over 3 mm. It is usually used for tile-wood-marble-Venetian-Palladian floors. Available in various heights and widths. The vertical arrowhead part in the PIT 510 and PIT 514 glue version allows excellent anchorage with the adhesive.



EXAMPLES AND INSTRUCTIONS FOR LAYING METHODS



1. Choose "PROJOINT" according to the desired height.
2. Cut "PROJOINT" to the desired length.
- Mortar laying**
3. Cut with a trowel the fresh screed following the floor edges.
4. Apply the profile inside the fresh screed taking care to align it with the surface of the floor. After laying the joint should be 0,5 mm below the floor covering surface.
5. Fill the joints between the profile and the tiles with grout, in order to avoid water stagnation. Remove immediately all grout remains from the profile surface.
- Adhesive laying**
3. Apply the adhesive on the support where the profile will be laid. After laying the joint should be 0,5 mm below the floor covering surface.
4. Lay the tiles aligning them with the profile leaving a 2 mm joint. Remove immediately all the remains of adhesive from the profile surface.
5. Fill the joints between the profile and the tile with grout, in order to avoid water stagnation. Remove immediately all grout remains from the profile surface.

NATURAL ALUMINIUM
bar length 2,70 lm - pack. 40 Pcs - 108 lm

Article	L x H mm
PITAN 525	5 X 25
PITAN 514	5 X 14
PITAN 510	5 X 10

COLOURS

AN - Natural alum.

* - Production on demand with minimum quantity of 100 pcs. Production delay 4/5 weeks. Price to be agreed