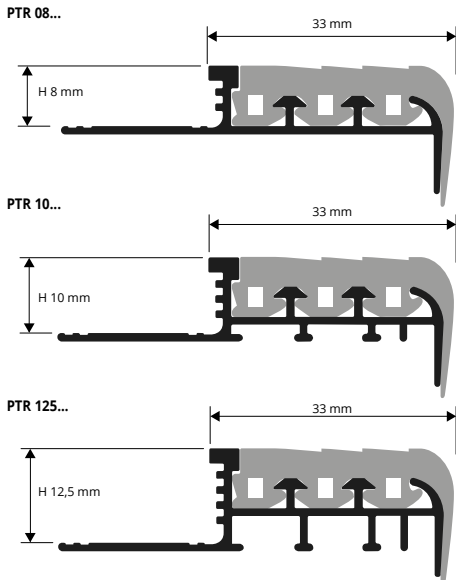


# PROSTAIR

NATURAL ALUMINIUM  
+ VINYL RESIN / RUBBER INSERT

**PROSTAIR** is a step nosing profile used to improve slip and slide resistance on the step, to protect ceramic steps and to prevent accidents. It consists of a rigid aluminium base and a changeable vinyl rubber insert available in various colours and widths. Compulsory in public environments to comply with EEC accident-prevention standards.



**EXAMPLES AND INSTRUCTIONS FOR LAYING METHODS**



1. Choose the PROSTEP/PROSTAIR in the required width and colour according to the thickness of the tile. 2. First fix the riser part, placing it at the correct and final height. 3. Fill the empty spaces under the profile with the tile adhesive. 4. Apply the adhesive to the tread, lay the profile with the punched base fully sunk into the adhesive and align the profile so that its lip covers the edge of the riser tile. 5. Lay the tread tiles, aligning them so that they are flush with the upper and rear part of the profile.



**INTERCHANGEABLE VINYL RESIN / RUBBER INSERT**  
bar length 2,7 lm - pack. 20 Pcs - 54 lm

Article		
PTGRA		
PTGRB		
PTGRN		
PTGRG		



**COLOURS**

G - Gray (E83)	N - Black (E85)	B - Beige (E84)
A - Ivory (E81)		

**NATURAL ALUMINIUM + VINYL RESIN / RUBBER INSERT**  
bar length 2,7 lm - pack. 20 Pcs - 54 lm

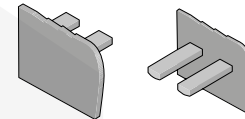
Article	H mm	
PTR 08...	8	
PTR 10...	10	
PTR 125...	12,5	

Available in the colours: G - N - B - A. The code of the selected colour must be added to the article code.  
E.g.: PTR 08... (chosen colour grey) PTR 08G.

**END CAP IN PVC - pack. 2 Pcs (1 R and 1 L)**

Article	H mm	
TPT 08.../1	8	
TPT 10.../1	10	
TPT 125.../1	12,5	

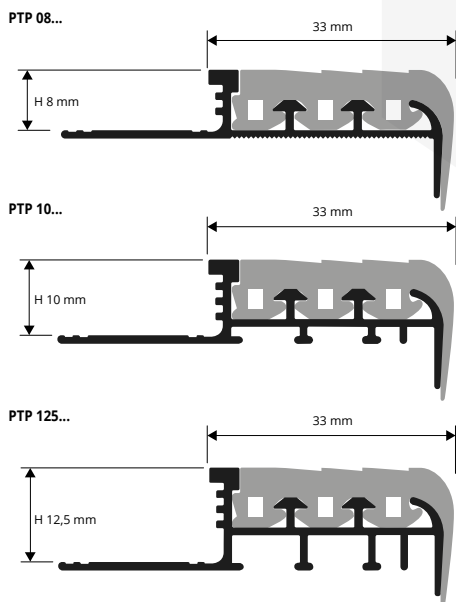
Available in the colours: G - N - B - A.  
The code of the selected colour must be added to the article code.  
E.g.: TPT 08... (chosen colour grey) TPT 08G.  
Articles not for sale singly



# PROSTEP

RIGID VINYL RESIN  
+ VINYL RESIN / RUBBER INSERT

**PROSTEP** is a step nosing profile used to improve slip and slide resistance on the step, to protect ceramic steps and to prevent accidents. It consists of a rigid base in high-strength vinyl resin and a changeable vinyl rubber insert available in various colours and widths. Compulsory in public environments to comply with EEC accident-prevention standards.



For instructions see the product above



**INTERCHANGEABLE VINYL RESIN / RUBBER INSERT**  
bar length 2,7 lm - pack. 20 Pcs - 54 lm

Article		
PTGRA		
PTGRB		
PTGRN		
PTGRG		



**COLOURS**

G - Gray (E83)	N - Black (E85)	B - Beige (E84)	A - Ivory (E81)

**IMPACT PROOF VINYL RESIN + VINYL RESIN / RUBBER INSERT**  
bar length 2,7 lm - pack. 20 Pcs - 54 lm

Article	H mm	
PTP 08...	8	
PTP 10...	10	
PTP 125...	12,5	

Available in the colours: G - N - B - A. The code of the selected colour must be added to the article code.  
E.g.: PTP 08... (chosen colour grey) PTP 08G.

**END CAP IN PVC - pack. 2 Pcs (1 R and 1 L)**

Article	H mm	
TPT 08.../1	8	
TPT 10.../1	10	
TPT 125.../1	12,5	

Available in the colours: G - N - B - A.  
The code of the selected colour must be added to the article code.  
E.g.: TPT 08... (chosen colour grey) TPT 08G.  
Articles not for sale singly

