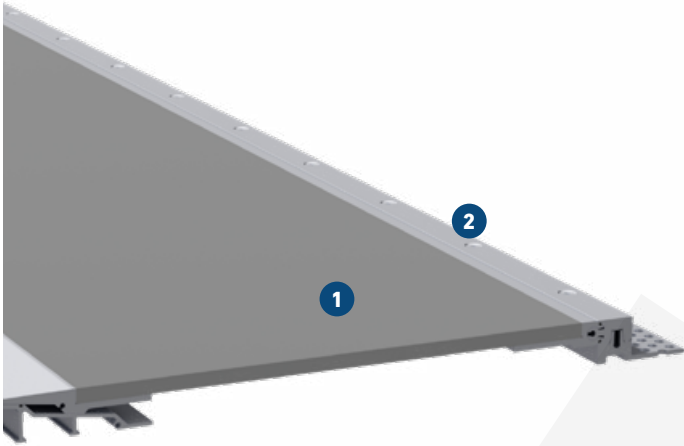


LSP

FOR LARGE MOVEMENTS, FOR CAR PARKS

MIGUMAX

SEISMIC RESISTANT EXPANSION JOINT SOLUTIONS



- 1 Articulated telescopic system**
absorbs movement in 3 directions
- 2 Solid all-metal expansion joint cover**
hard wearing, maintenance-free, long lasting

For extremely high movements
Designed for seismic loads

Expansion joint cover	Joint width max. b_f max (mm)	Total movement thermal Δb_f (mm)	Total movement seismic Δb_f (mm)	Visible width b_s (mm)	Width total b_t (mm)	Installation height h (mm)	Load bearing capacity [kN]
LSP 100	100	60 (± 30)	300 (+200/-100)	406	498	45	30
LSP 150	150	60 (± 30)	350 (+200/-150)	456	548	45	30
LSP 200	200	60 (± 30)	400 (+200/-200)	506	598	45	30
LSP 250	250	60 (± 30)	450 (+200/-250)	556	648	45	30
LSP 300	300	60 (± 30)	500 (+200/-300)	606	698	45	30
LSP 400	400	60 (± 30)	600 (+200/-400)	706	798	45	30
LSP 500	500	60 (± 30)	750 (+250/-500)	856	948	45	30

Joint width by the time of installation. Potential tolerance: ± 10 mm

Centre plate available with fine decorative finish

Corner versions will be designed individually. Details submitted project-wise on request.

Further joint widths available on demand.

Production length: 3 m

Standard colour: Aluminium; stainless steel available on demand

