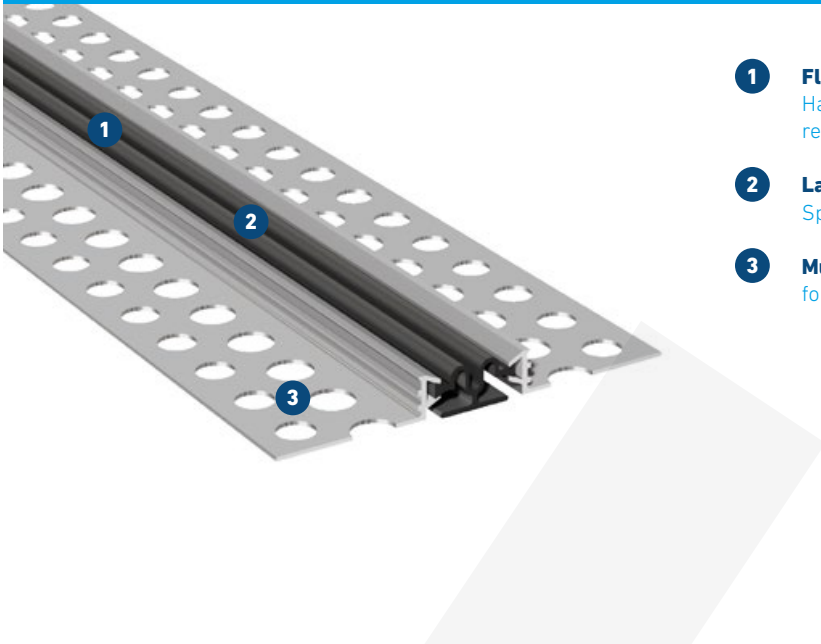


D 12 / DE 12

FOR WALLS AND CEILINGS WITH PLASTER AND TILES

MIGUTEC

JOINT COVERS FOR EXPANSION JOINTS



- 1 Flexible high quality elastomeric insert**
Hard wearing, temperature resistant (-30°C to +120°C), replaceable
- 2 Large movement capacity**
Special flexible folded insert (up to 50 m length)
- 3 MultiHole mounting bracket**
for secure fixing

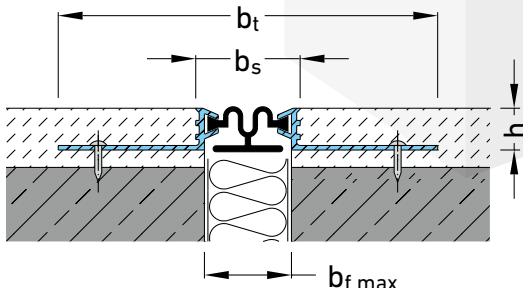
Standard version	Joint width b_f max [mm]	Total movement Δb_f [mm]	Visible width b_s [mm]	Joint width total b_t [mm]	Joint height h [mm]
D 12/3	30	10 (±5)	32	110	12
D 12/5	75	40 (±20)	75	155	12
D 12/7	100	50 (±25)	100	180	12
D 12/9	150	100 (±50)	150	230	12
D 12/13	200	120 (±60)	200	280	12
D 12/14	250	180 (±90)	250	330	12
D 12/18	350	200 (±100)	350	430	12

Corner version	Joint width b_f max [mm]	Total movement Δb_f [mm]	Visible width b_s [mm]	Joint width total b_t [mm]	Joint height h [mm]
DE 12/4	30	10 (±5)	22	73	12
DE 12/6	75	40 (±20)	55	113	12
DE 12/8	100	50 (±25)	80	138	12
DE 12/11	150	100 (±50)	125	188	12
DE 12/15	200	120 (±60)	190	238	12
DE 12/16	250	180 (±90)	220	288	12
DE 12/22	350	200 (±100)	390	388	12

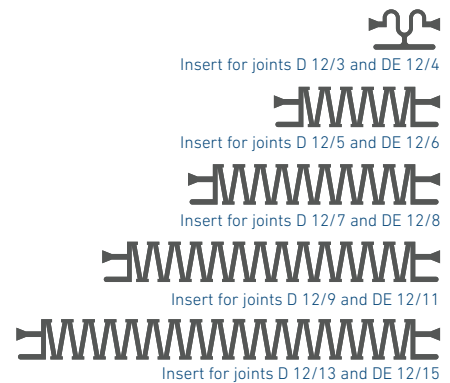
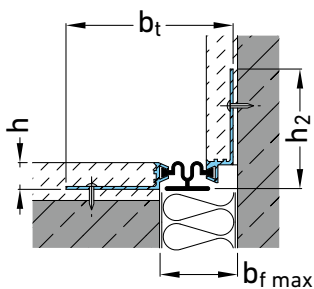
Production length: 4 m

Max. delivery length of the inlay: 50 m

Standard colours: grey. D 12/3 and DE 12/4 also available beige.



Corner version:

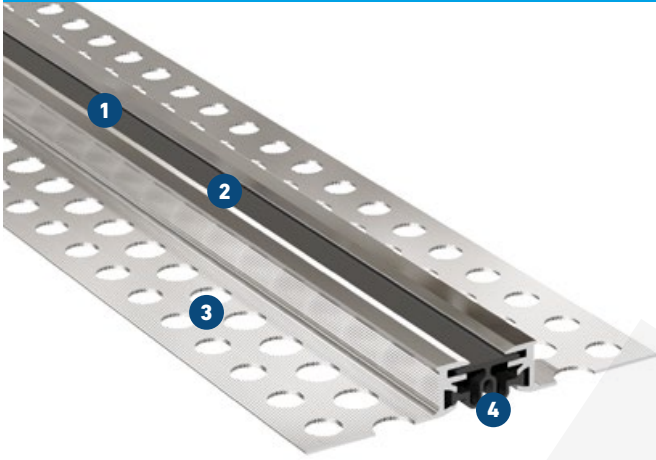


D 15 / DE 15

FOR WALLS AND CEILINGS WITH PLASTER AND TILES

MIGUTEK

JOINT COVERS FOR EXPANSION JOINTS



- 1 High quality elastomeric insert for in- and outdoors**
Hard wearing, temperature resistant (-30°C to +120°C), replaceable
- 2 Large movement capacity**
Special flexible folded insert (up to 50 m length)
- 3 MultiHole mounting bracket**
for secure fixing
- 4 Double protection against water**
Due to double sliding of the sealing insert within metal joint covers

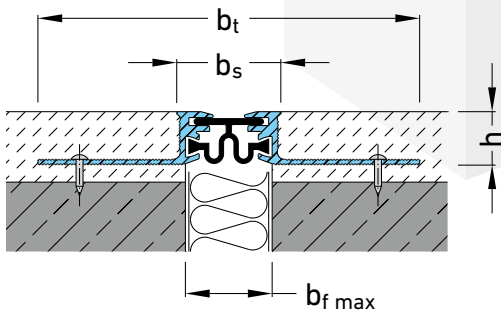
Standard version	Joint width b_f max [mm]	Total movement Δb_f [mm]	Visible width b_s [mm]	Joint width total b_t [mm]	Joint height h [mm]
D 15/3	30	10 (± 5)	32	110	15
D 15/5	75	40 (± 20)	75	155	15
D 15/7	100	50 (± 25)	100	180	15
D 15/9	150	100 (± 50)	150	230	15
D 15/13	200	100 (± 50)	200	280	15
D 15/14	250	180 (± 90)	250	330	15
D 15/18	350	200 (± 100)	350	430	15

Corner version	Joint width b_f max [mm]	Total movement Δb_f [mm]	Visible width b_s [mm]	Joint width total b_t [mm]	Joint height h [mm]
DE 15/4	30	10 (± 5)	22	76	15
DE 15/6	75	40 (± 20)	55	114	15
DE 15/8	100	50 (± 25)	80	139	15
DE 15/11	150	100 (± 50)	125	189	15
DE 15/15	200	120 (± 60)	190	239	15
DE 15/16	250	180 (± 90)	220	289	15
DE 15/22	350	200 (± 100)	390	389	15

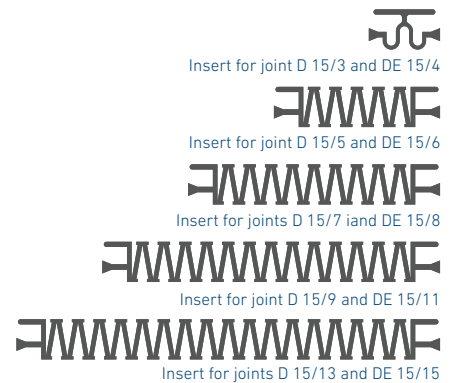
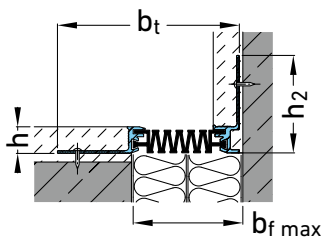
Production length: 4 m

Max. delivery length of the inlay: 50 m

Standard colours: grey. D 15/3 and DE 15/4 also available in beige.



Corner version:

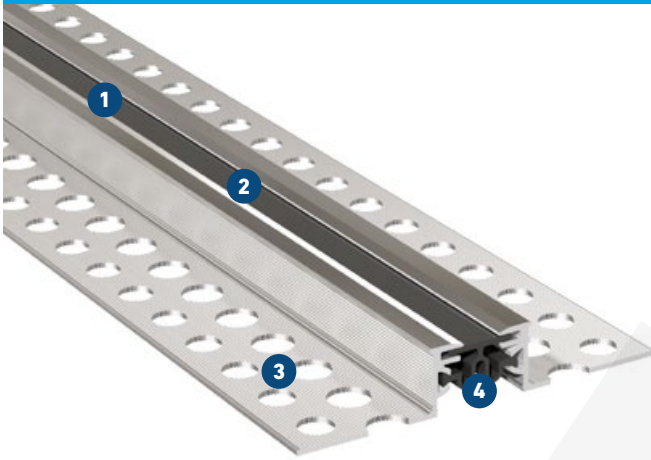


D 20 / DE 20

FOR WALLS AND CEILINGS WITH PLASTER AND TILES

MIGUTEC

JOINT COVERS FOR EXPANSION JOINTS

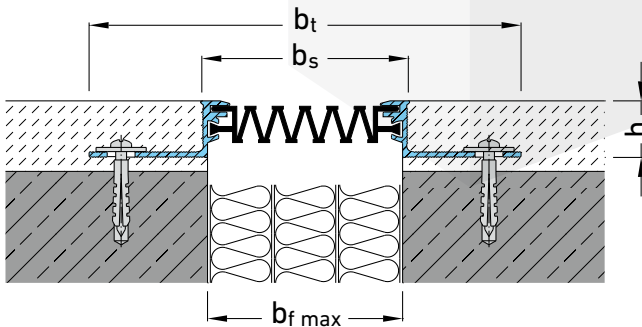


- 1 Flexible high quality elastomeric insert**
Hard wearing, temperature resistant (-30°C to +120°C), replaceable
- 2 Large movement capacity**
Special flexible folded insert (up to 50 m length)
- 3 MultiHole mounting bracket**
for secure fixing
- 4 Double protection against water**
Due to double sliding of the sealing insert within metal joint covers

Standard version	Joint width b_f max [mm]	Total movement Δb_f [mm]	Visible width b_s [mm]	Joint width total b_t [mm]	Joint height h [mm]
D 20/3	30	10 (± 5)	32	111	20
D 20/5	75	40 (± 20)	75	160	20
D 20/7	100	50 (± 25)	100	180	20
D 20/9	150	100 (± 50)	150	230	20
D 20/13	200	120 (± 60)	200	280	20
D 20/14	250	180 (± 90)	250	330	20
D 20/18	350	200 (± 100)	350	430	20

Corner version	Joint width b_f max [mm]	Total movement Δb_f [mm]	Visible width b_s [mm]	Joint width total b_t [mm]	Joint height h [mm]
DE 20/4	30	10 (± 5)	25	81	20
DE 20/6	75	40 (± 20)	60	116	20
DE 20/8	100	50 (± 25)	85	141	20
DE 20/11	150	100 (± 50)	130	191	20
DE 20/15	200	120 (± 60)	180	241	20
DE 20/16	250	180 (± 90)	210	291	20
DE 20/22	350	200 (± 100)	380	391	20

Production length: 4 m
Max. delivery length of the inlay: 50 m
Standard colours: grey. D 20/3 also available in beige.



Corner version:

