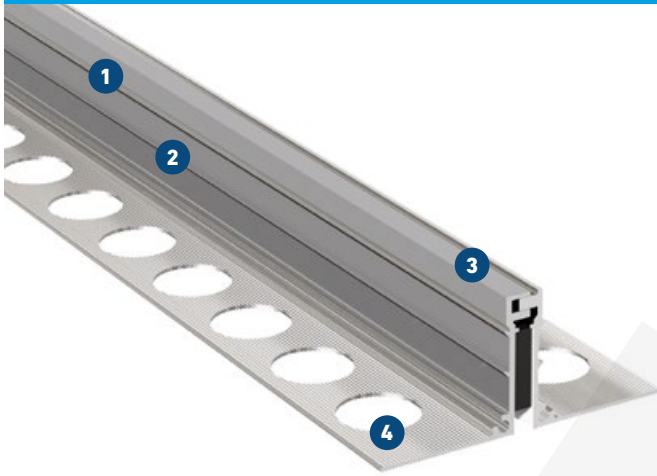


ESF 10 AL

FOR CONTRACTION JOINTS IN FLOORS WITH HIGH LOAD CAPACITY

MIGUTEC

JOINT COVERS FOR EXPANSION JOINTS



- 1 Solid all-metal expansion joint cover**
Hard wearing, maintenance free, long lasting
- 2 High load capacity**
Solid aluminium brackets, suitable for hard plastic tyres
- 3 Small visible surface**
Slim design, visible width of cover 10 mm only
- 4 MultiHole mounting bracket**
for secure fixing

Now available Anodized!

This expansion joint cover is on offer in anodized colours as of now. Available as standard in the four colours shown below, we will be pleased to offer you further colours upon request

Expansion joint cover	Joint width	Total movement	Visible width	Joint width total	Joint height total	Load bearing capacity	Load bearing capacity	Load bearing capacity
	$b_f \text{ max}$ [mm]	Δb_f [mm]	b_s [mm]	b_t [mm]	h [mm]	[kN]	[kN]	solid plastic tyres [kg/mm]
ESF 10/12 AL	10	4 (±2)	10	77	12	600	130	6,5
ESF 10/15 AL	10	4 (±2)	10	77	15	600	130	6,5
ESF 10/17 AL	10	4 (±2)	10	77	17	600	130	6,5
ESF 10/25 AL	10	4 (±2)	10	77	25	600	130	6,5
ESF 10/35 AL	10	4 (±2)	10	77	35	600	130	6,5
ESF 10/40 AL	10	4 (±2)	10	77	40	600	130	6,5
ESF 10/50 AL	10	4 (±2)	10	77	50	600	130	6,5
ESF 10/60 AL	10	4 (±2)	10	77	60	600	130	6,5

All information on load bearing capacity does only apply to non-floating floors. Further installation heights on request.

Production length: 4 m

