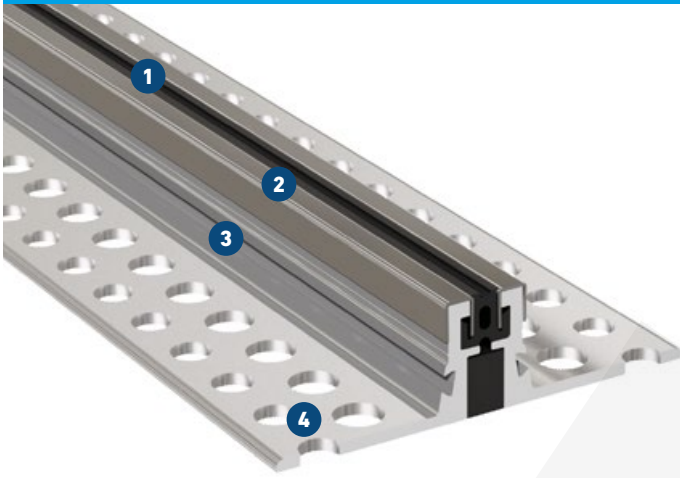


ESF 22 NI

WITH CAPPINGS MADE OF STAINLESS STEEL; FOR CONTRACTION JOINTS IN FLOORS WITH HIGH LOAD CAPACITY

MIGUTEK

JOINT COVERS FOR EXPANSION JOINTS



- 1 Flexible high quality elastomeric insert**
Hard wearing, temperature resistant (-30°C bis +120°C)
- 2 Visible surface stainless steel**
- 3 High load capacity**
Solid aluminium brackets, suitable for hard plastic tyres
- 4 MultiHole mounting brackets**
for secure fixing

| Expansion joint cover | Joint width b_f max [mm] | Total movement Δb_f [mm] | Visible width b_s [mm] | Joint width total b_t [mm] | Joint height total h [mm] | Load bearing capacity [kN] | Load bearing capacity [kN] | Load bearing capacity solid plastic tyres [kg/mm] |
|-----------------------|-------------------------------|-------------------------------------|-----------------------------|---------------------------------|--------------------------------|-------------------------------|-------------------------------|---|
| ESF 22/18 NI | 12 | 4 (±2) | 22 | 110 | 18 | 600 | 130 | 11 |
| ESF 22/30 NI | 12 | 4 (±2) | 22 | 110 | 30 | 600 | 130 | 11 |
| ESF 22/45 NI | 12 | 4 (±2) | 22 | 110 | 45 | 600 | 130 | 11 |
| ESF 22/60 NI | 12 | 4 (±2) | 22 | 110 | 60 | 600 | 130 | 11 |

All information on load bearing capacity does only apply to non-floating floors.

Production length: 4 m

Material visible cover: 1.4301

Standard colours: black, grey

