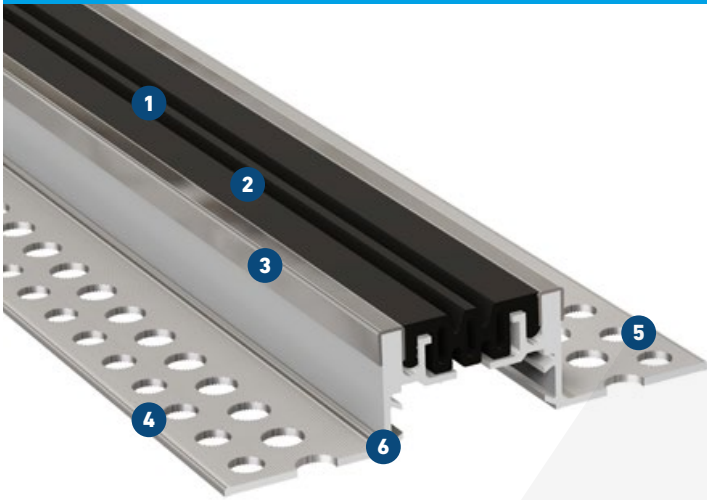


# FP 55 NI (4S)

WITH CAPPINGS MADE OF STAINLESS STEEL

# MIGUTEC

JOINT COVERS FOR EXPANSION JOINTS

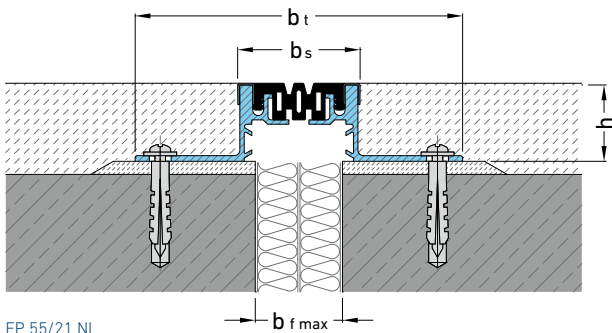


- 1 Flexible high quality elastomeric insert**  
Hard wearing, temperature resistant (-30°C to +120°C), replaceable
- 2 Multi directional movement**  
**Visible surface in stainless steel**
- 3 High load capacity due to sturdy construction**  
Solid aluminium brackets
- 4 MultiHole mounting bracket**  
for secure fixing
- 5 Quick and easy installation**  
Positive connection of production lengths by means of connection pieces
- 6**

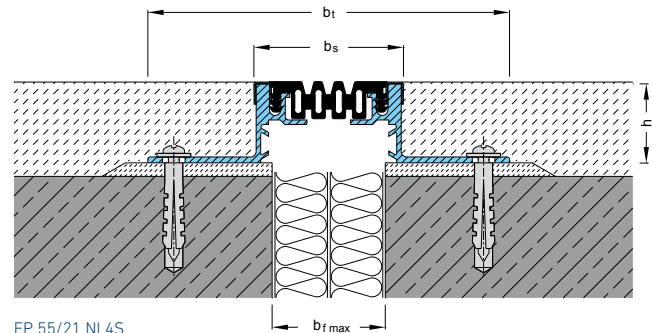
Expansion joint cover	Joint width	Total movement	Visible width	Joint width total	Joint height	Load bearing capacity [kN]	Load bearing capacity* [kN]
	$b_f \text{ max}$ [mm]	$\Delta b_f$ [mm]	$b_s$ [mm]	$b_t$ [mm]	$h$ [mm]		
FP 55/21 NI	50	16 (±8)	57	150	21	30	300
FP 55/26 NI	50	16 (±8)	57	150	26	30	300
FP 55/36 NI	50	16 (±8)	57	150	36	30	300
FP 55/51 NI	50	16 (±8)	57	150	51	30	300
FP 55/76 NI	50	16 (±8)	57	150	76	30	300
FP 55/21 NI 4S	58	22 (±11)	65	158	21	30	300
FP 55/26 NI 4S	58	22 (±11)	65	158	26	30	300
FP 55/36 NI 4S	58	22 (±11)	65	158	36	30	300
FP 55/51 NI 4S	58	22 (±11)	65	158	51	30	300
FP 55/76 NI 4S	58	22 (±11)	65	158	76	30	300

\* no continuous use  
For installation in asphalt, please ask for our technical advice.  
Larger installation heights on request.

**Production length:** 4 m  
**Standard colours:** black, grey  
**Wall connections:** E1, E3, E4



FP 55/21 NI



FP 55/21 NI 4S