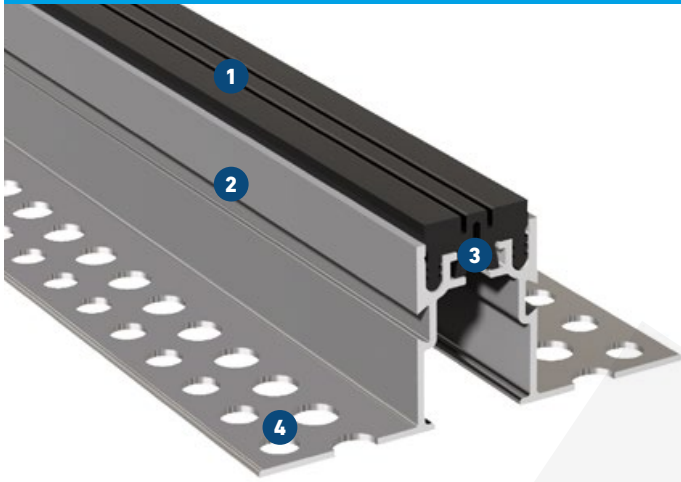


FT 35

FOR FLOORS WITH CARPET

MIGUTEC

JOINT COVERS FOR EXPANSION JOINTS



- 1 Flexible high quality elastomeric insert**
Hard wearing, temperature resistant (-30°C to +120°C), replaceable
- 2 Quick and easy installation**
Solid, but light aluminium brackets for quick installation in floorings with PVC or linoleum coverings (insert with 3 mm upstand, weldable)
- 3 Multi directional movement**
MultiHole mounting bracket
for secure fixing
- 4 Flexible adaptation to site conditions**
Available with adjustable installation height

Expansion joint cover	Joint width	Total movement	Visible width	Joint width total	Joint height	for coverings	Load bearing capacity	Load bearing capacity*
	bf max [mm]	Δbf [mm]	bs [mm]	bt [mm]	h [mm]	thickness [mm]	[kN]	[kN]
FT 35/15	30	10 (±5)	30	108	15	5	30	30
FT 35/20	30	10 (±5)	30	108	20	5	30	30
FT 35/25	30	10 (±5)	30	108	25	5	30	30
FT 35/35	30	10 (±5)	30	125	35	5	30	30
FT 35/50	30	10 (±5)	30	125	50	5	30	30
FT 35/4055	30	10 (±5)	30	108	40, 45, 50, 55	5	30	30
FT 35/6075	30	10 (±5)	30	108	60, 65, 70, 75	5	30	30
FT 35/7590	30	10 (±5)	30	108	75, 80, 85, 90	5	30	30
FT 35/90105	30	10 (±5)	30	108	90, 95, 100, 105	5	30	30

* no continuous use

All info on load capacities apply to doweled, not to floating installation.

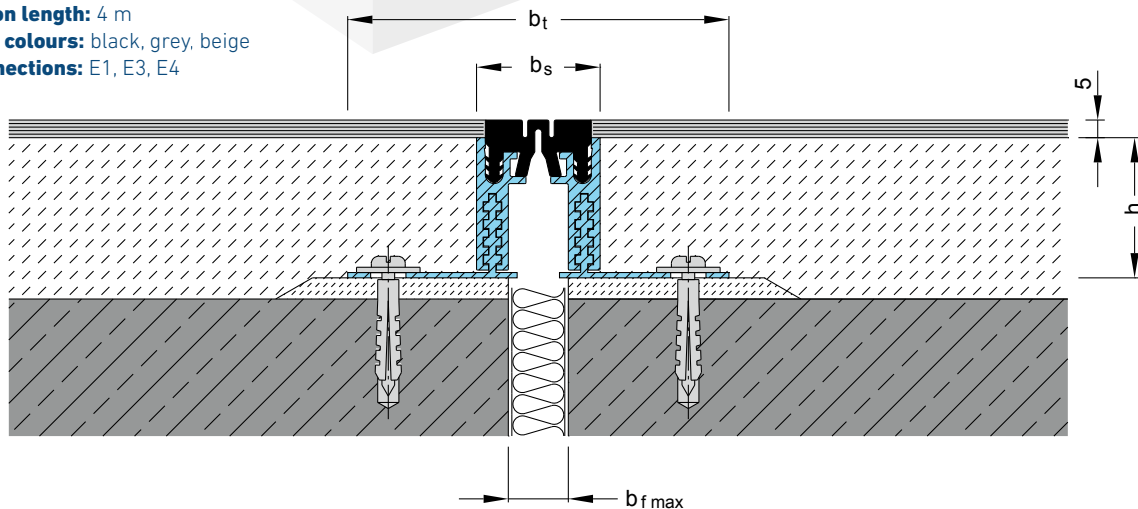
For installation in asphalt, please ask for our technical advice.

Expansion joint covers of series FT 35 are supplied with flush mounted distance insert of FV 35. The top edge of the aluminium joint cover can be used as a screeding guide. The distance insert protects the joint cover until covering is laid. This method avoids damage caused by site traffic.

Production length: 4 m

Standard colours: black, grey, beige

Wall connections: E1, E3, E4

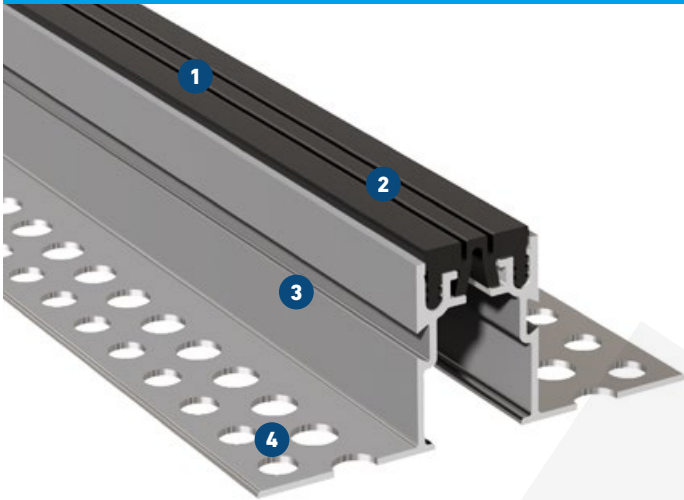


FK 35

FOR FLOORS WITH PVC OR LINOLEUM

MIGUTEC

JOINT COVERS FOR EXPANSION JOINTS



- 1 Flexible high quality elastomeric insert**
Hard wearing, temperature resistant (-30°C to +120°C), replaceable
- 2 Multi directional movement**
Quick and easy installation
Solid, but light aluminium brackets for quick installation in floorings with PVC or linoleum coverings (insert with 3 mm upstand, weldable with PVC)
- 3 MultiHole mounting bracket**
for secure fixing
- 4 Flexible adaptation to site conditions**
Available with adjustable installation height

Expansion joint cover	Joint width	Total movement	Visible width	Joint width total	Joint height	for coverings	Load bearing capacity	Load bearing capacity*
	$b_f \text{ max}$ [mm]	Δb_f [mm]	b_s [mm]	b_t [mm]	h [mm]	thickness [mm]	[kN]	[kN]
FK 35/15	30	10 (±5)	30	108	15	3	30	30
FK 35/20	30	10 (±5)	30	108	20	3	30	30
FK 35/25	30	10 (±5)	30	108	25	3	30	30
FK 35/35	30	10 (±5)	30	125	35	3	30	30
FK 35/50	30	10 (±5)	30	125	50	3	30	30
FK 35/4055	30	10 (±5)	30	108	40, 45, 50, 55	3	30	30
FK 35/6075	30	10 (±5)	30	108	60, 65, 70, 75	3	30	30
FK 35/7590	30	10 (±5)	30	108	75, 80, 85, 90	3	30	30
FK 35/90105	30	10 (±5)	30	108	90, 95, 100, 105	3	30	30

* no continuous use

All info on load capacities apply to doweled, not to floating installation.

For installation in asphalt, please ask for our technical advice.

Expansion joints covers of series FT 35 are supplied with flush mounted distance insert of FV 35. The top edge of the aluminium joint can be used as a screeding guide. The distance insert protects the expansion joint covers until covering is laid. This method avoids damage of profile caused by site traffic.

Production length: 4 m

Standard colours: black, grey, beige, brown

Wall connections: E1, E3, E4

