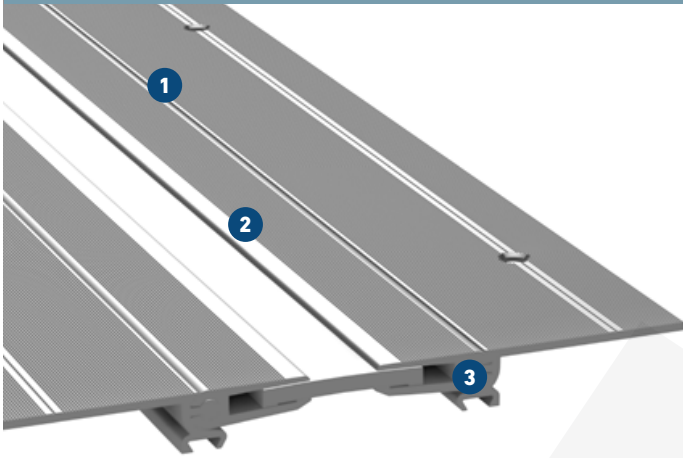


FSN 99

ALL-METAL EXPANSION JOINT. FOR SUBSEQUENT INSTALLATION

MIGUTRANS


HEAVY-DUTY ALL-METAL JOINT SOLUTIONS FOR LARGE TRAFFIC LOADS



- 1 Solid all-metal expansion joint**
hard wearing, maintenance-free, long lasting
- 2 Symmetrical visible surface has no gaps**
avoids dirt accumulation
- 3 Striated surface**
ensures good skid resistance

Articulated telescoping system
absorbs movement in 3 directions

Ideal for redevelopment, refurbishment, renovation

Expansion joint cover	Joint width max. b_f [mm]	Total movement Δb_f [mm]	Visible width b_s [mm]	Joint width total b_t [mm]	Joint height h [mm]	Thickness of alu side plates h_1 [mm]	Load bearing capacity 
FSN 99	100	40 (± 20)	219	219	15	3	pedestrians

* Light vehicles on request.

Production length: 4 m

Standard colour: Aluminium

Mounting distance: 300 mm

Corner versions:

